

Product End-of-Life Instructions

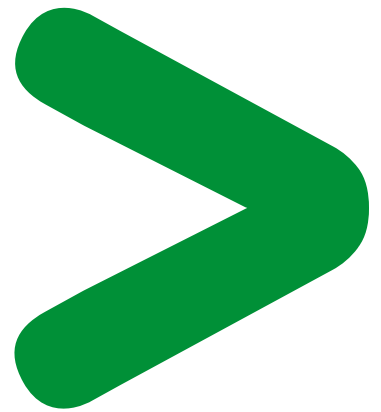
XDP Heavy Duty Monolever

Product Range

XDP Heavy Duty Monolever

Marketing Model

XDPA1010C1, XDPB1111C1, XDPC1411C1, XDPD1111C1, XDPA5050C4, XDPB5555C4, XDPC5555C4, XDPD5555C4



Size in mm (H x L x D):

176.6 x 65 x 65

Weight in g:

Between 481 and 507 assembled with contact blocks

Between 470 and 486 assembled with microswitch

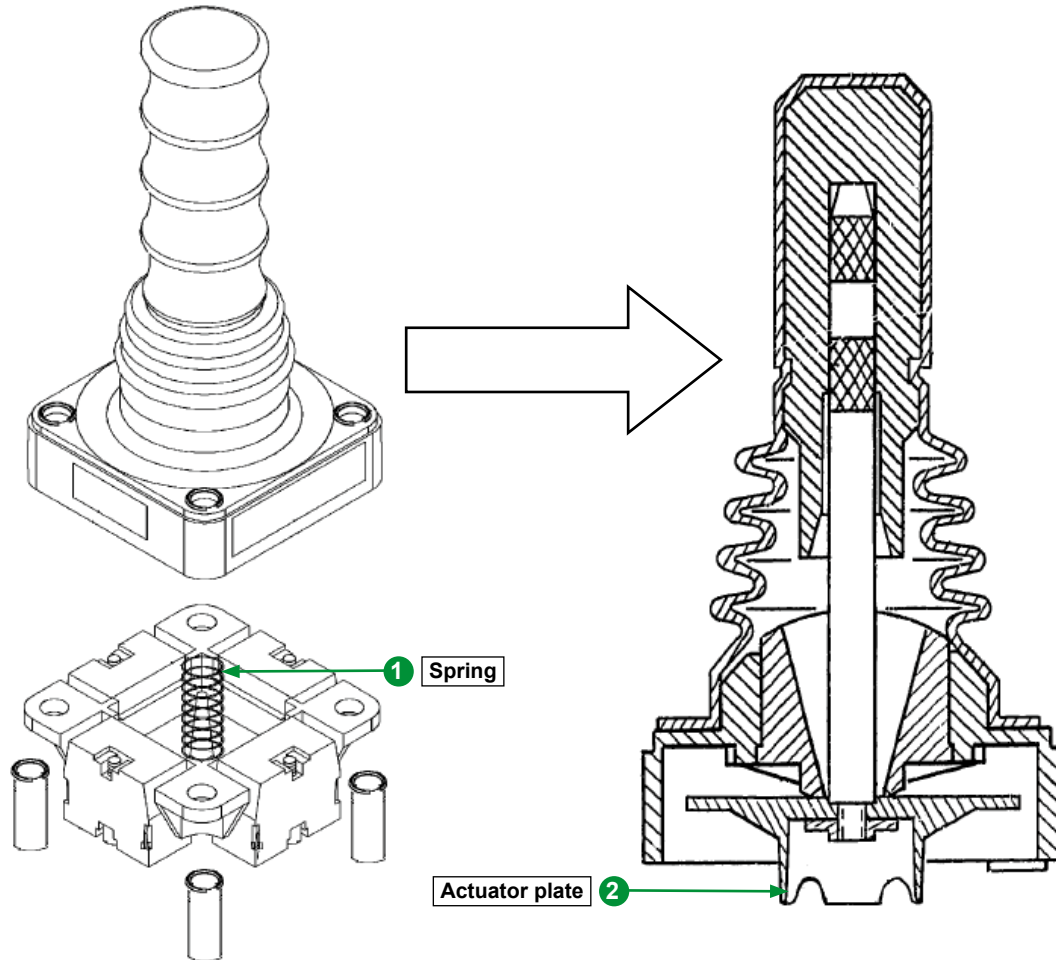


Operations recommended for the end of life treatment

There are several steps to process the products at the end of life so as to recover components, materials or energy :

Reuse ⇒ Separation for special treatment ⇒ Other Dismantling ⇒ Shredding

The components of the products that optimize the recycling performances are listed, identified and located hereunder.



Recommendation	Number on drawing	Components	Weight (g)	Comment
Operating hazards: Spring Energy	1	Spring	4.8	1 part
Special treatment : Depollution	2	Plastic part > PA66 + FR <	6.4	1 part

Schneider Electric Industries SAS

35, rue Joseph Monier
CS30323
F - 92506 Rueil Malmaison Cedex

RCS Nanterre 954 503 439
Capital social 896 313 776 €
www.schneider-electric.com

The version of the Guide used to create the document: End of Life Instruction Drafting Guide of Schneider Electric version V1.

Publication : Schneider Electric